

# Standard Telecom Requirements

(Revised 8-3-2022)

*Cust. Design Supr.*

**Vacant**

**O: (213) 367-4290**

*Solar PV Design Supr.*

**Luis Nunezuribe**

**O: (818) 771-3622**

*InterAgency Cable Supr.*

**Omar Perez**

**O: (213) 367-4486**

*ECC App. Engr.*

**Davin Hau**

**O: (818) 771-6725**

*ECC App. Engr.*

**Arturo Lozano**

**O: (818) 771-6725**

*RTU Main St. Engr.*

**Mark Nakao**

**M: (213) 216-6791**

*Telecom Mgr.*

**Vacant**

*Telecom Engr.*

**Caroline Tian**

**O: (213) 367-5896**

*Telecom Engr.*

**Arun Orn**

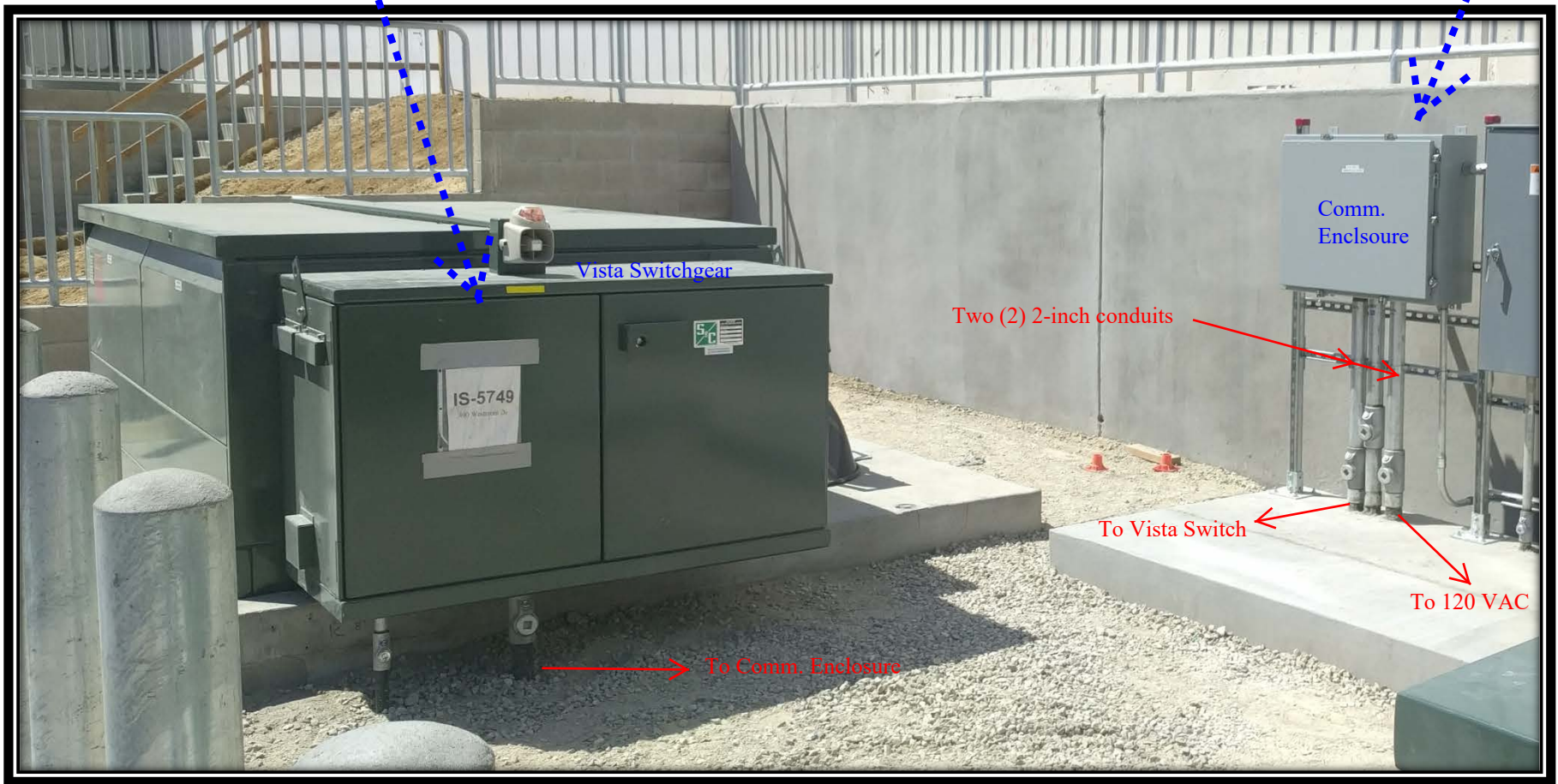
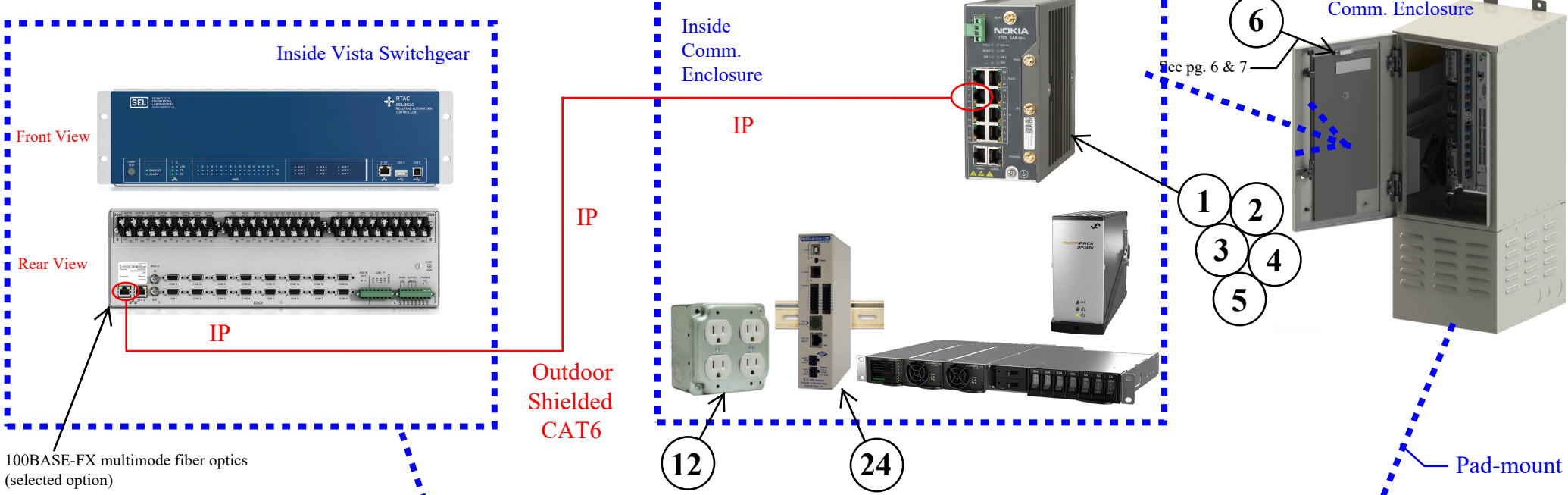
**O: (213) 367-8771**

## Typical communication requirements

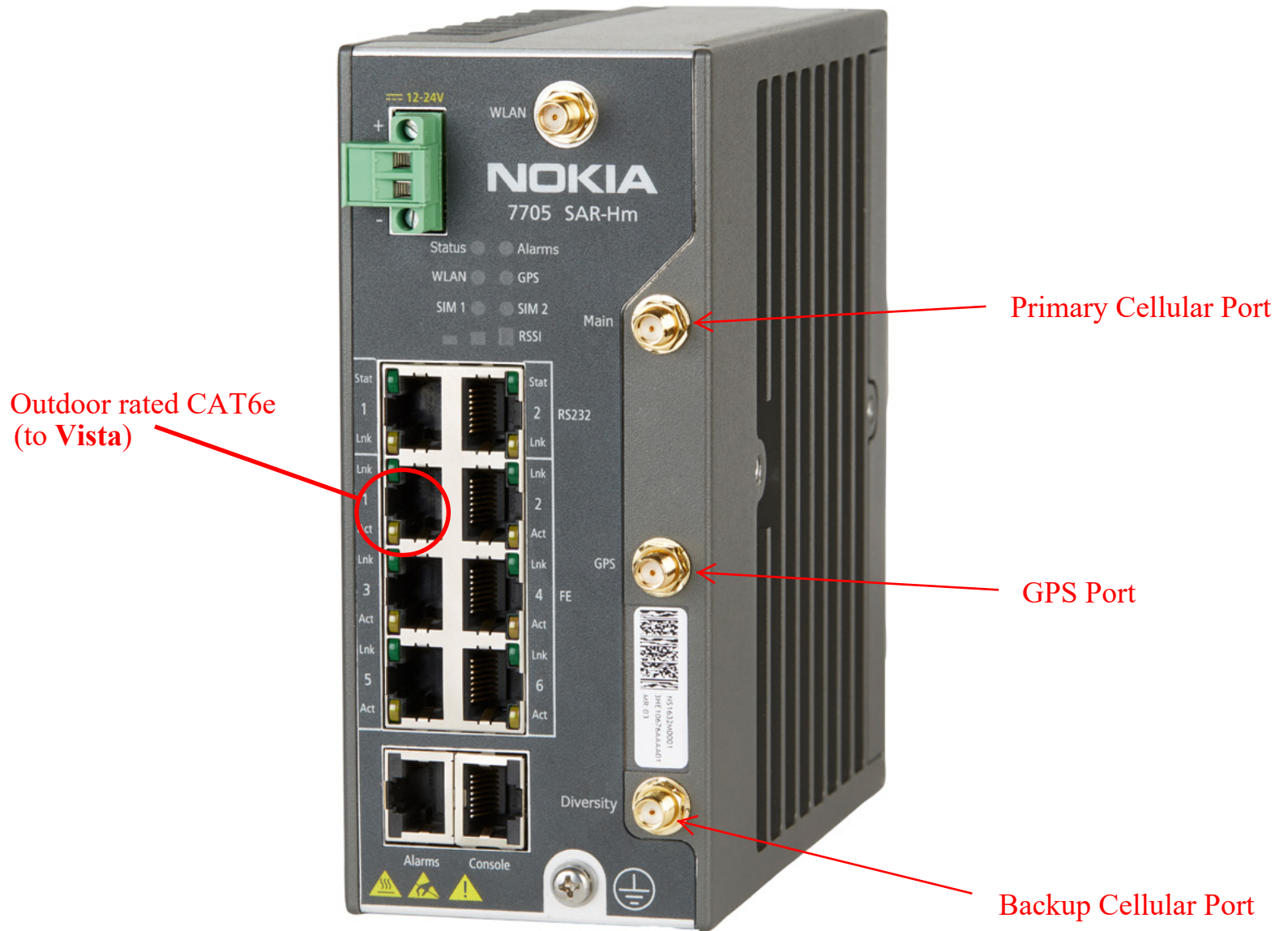
- IS Station (Vista Switchgear)
  - Pad for comm. enclosure
    - Enclosure weight: 240 lbs.
    - Base dimension: 15.31" x 13.25"
  - Comm. enclosure
    - Two (2) 2-inch conduits
      - To Vista Switch
      - To 120VAC power source
    - 120VAC quad receptacle
  - Junction box – 12"H x 12"W x 6"D

## Roles & Responsibilities

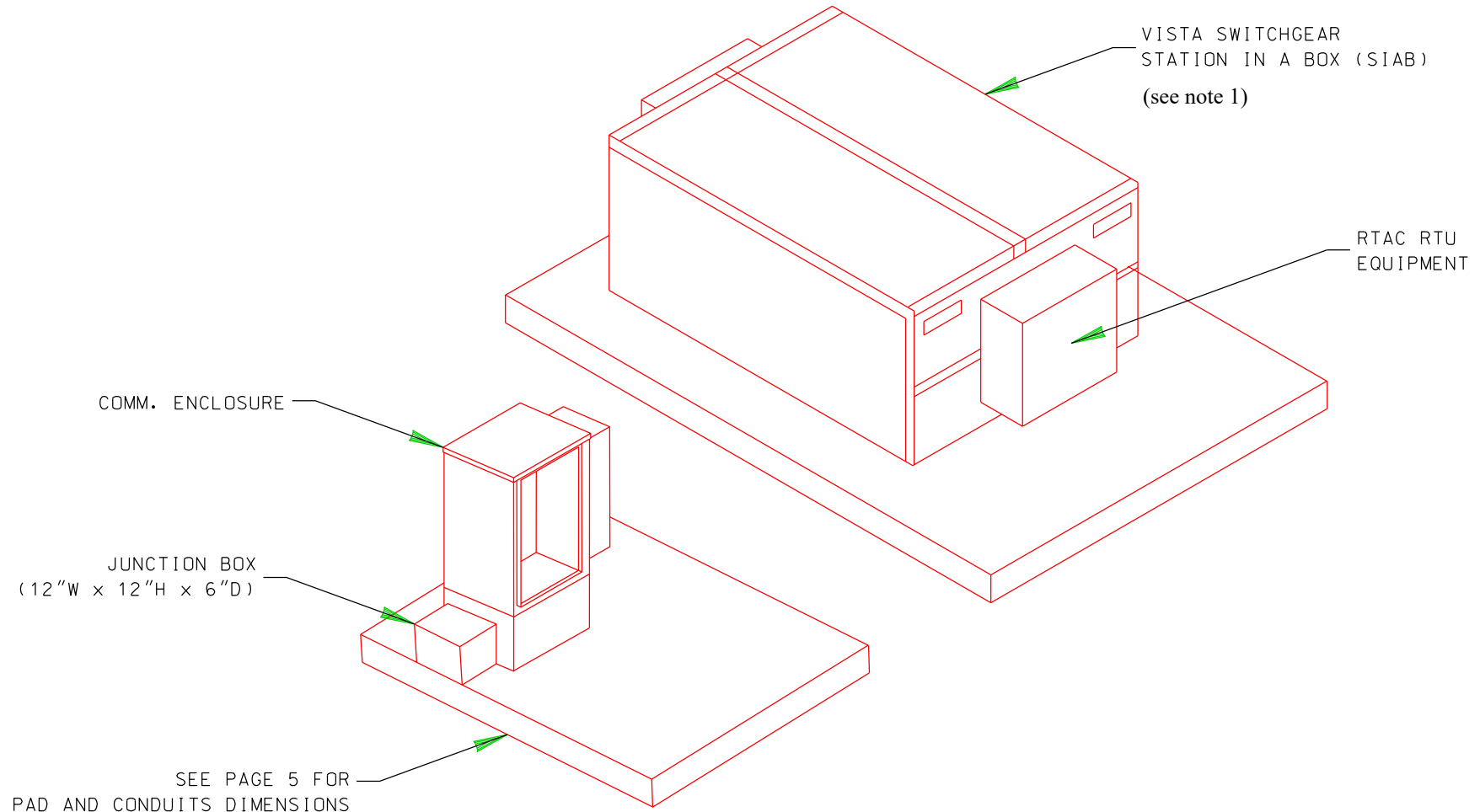
- **Contractor's responsibilities**
  - Procure all the parts and materials (see pages 3 and 8)
  - Provide 2-inch conduit from Vista RTU and 2-inch conduit from 120VAC source to comm. enclosure
  - Pull 14 AWG cables and install 120VAC receptacle inside enclosure
  - Pull outdoor shielded CAT6 cable (Vista Switch to comm. enclosure)
  - Install junction box next to comm. enclosure (see page 4)
  - Install battery pedestal with 48VDC batteries
- **LADWP Station Design Engineer's responsibilities**
  - Submit ITSR for Telecom support (include IS station #, if known)
  - Job walk with Telecom Engineer (for non-typical design)
    - Determine location and mounting of comm. enclosure
  - Ensure SEL RTAC has default electrical Ethernet interface option
  - Communicate with Customer for telecom requirement and issue resolution (as a single point of contact)
- **LADWP Telecom's responsibilities**
  - Install all devices inside the comm. enclosure
  - Mount enclosure to battery pedestal
  - Land all cables inside the comm. enclosure
- **LADWP RTU's responsibilities**
  - Connect outdoor shielded CAT6 cable to RTU Ethernet port
- **LADWP ECC responsibilities**
  - Verify RTU is in scan



# Cellular Router

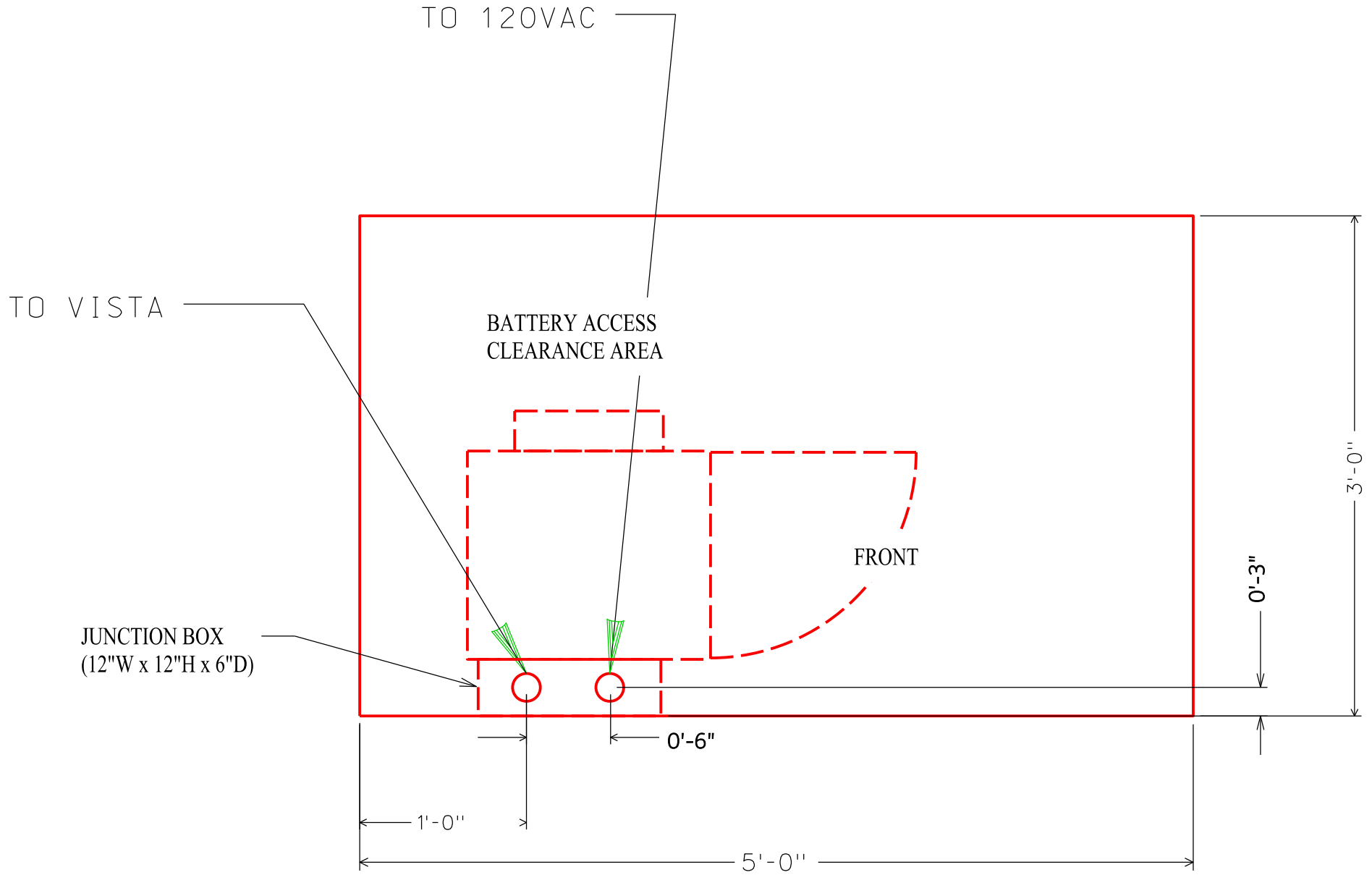


# Location of Telecom Enclosure (typical)

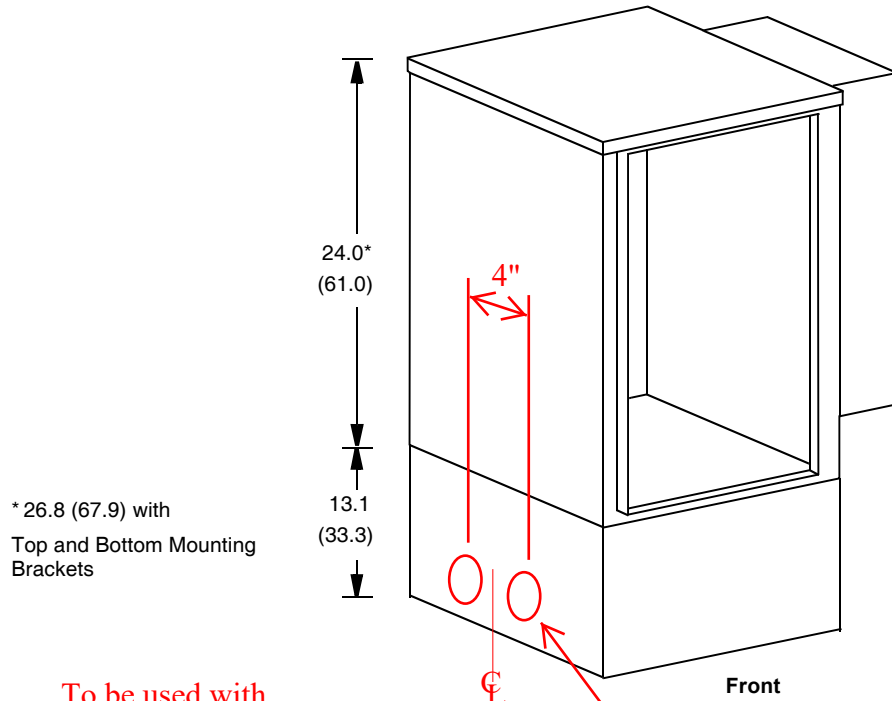


Note 1 - Some projects may not have a Vista Switch

# Pad and Conduits Dimensions



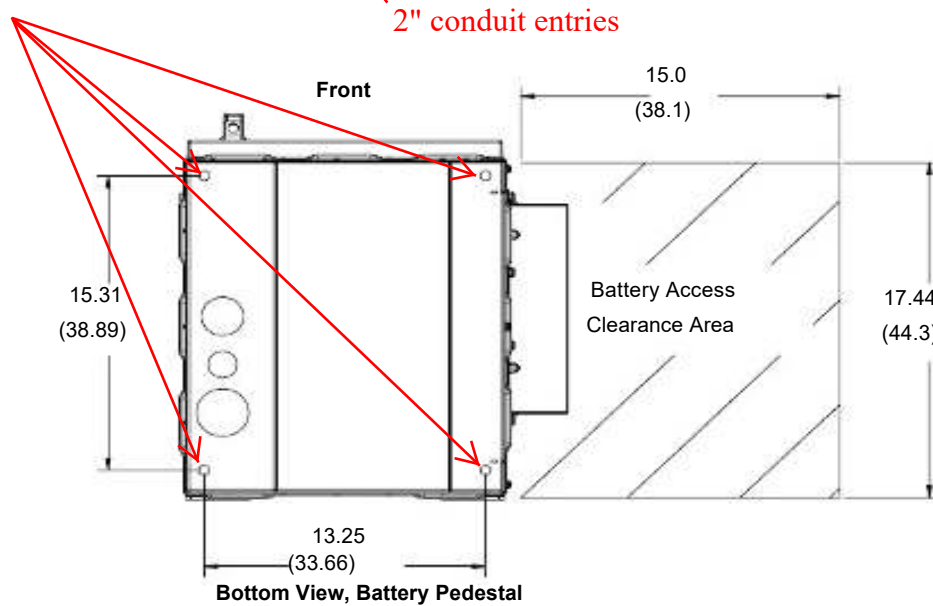
# Dimensions - Telecom Enclosure



Dimensions = inches (centimeters) *Not to scale*

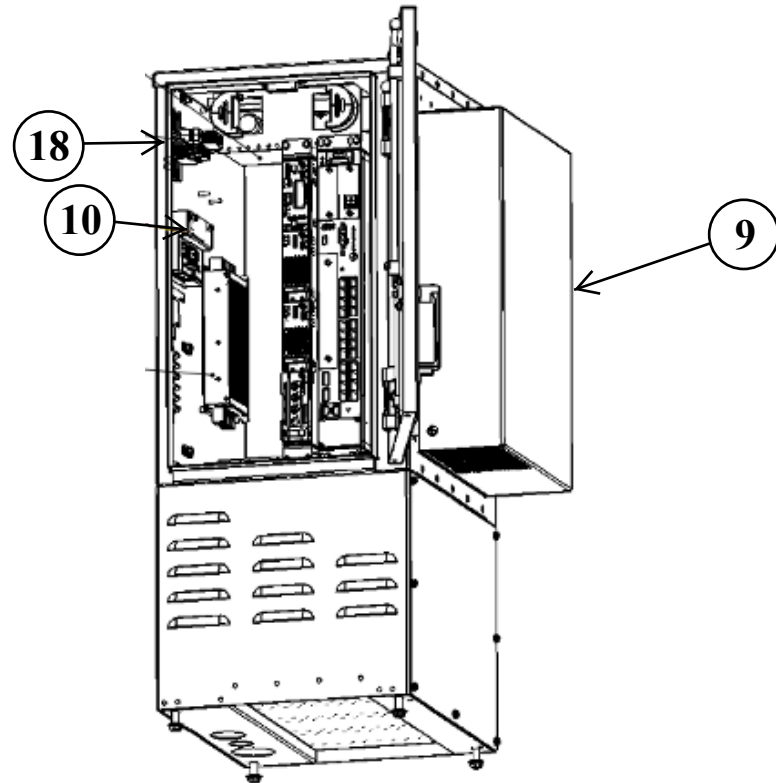
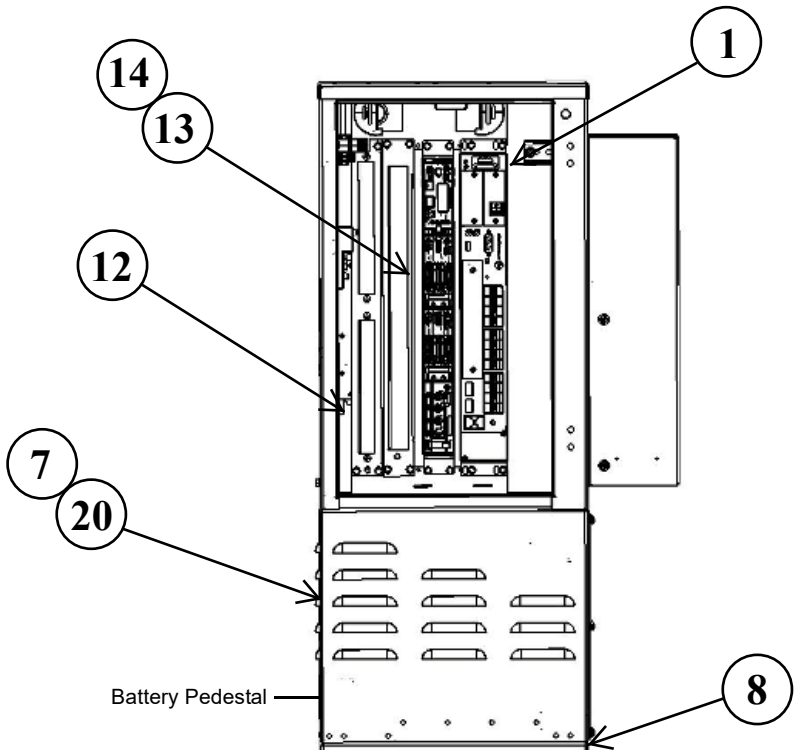
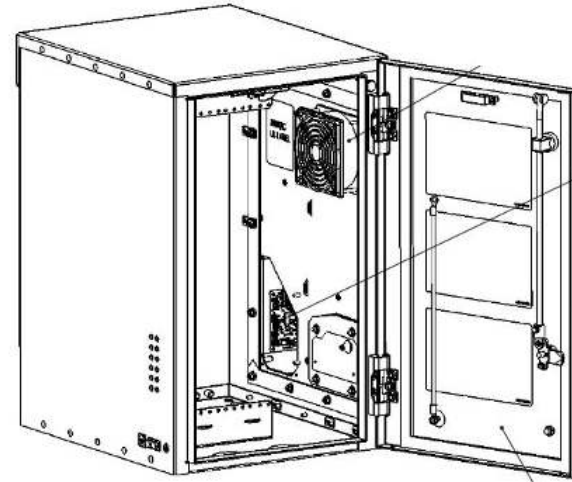
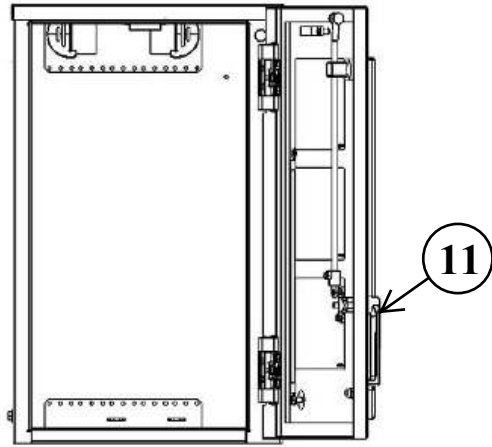
Assembly	Weight
Enclosure w/HEX	50 lbs (23 kg)
Battery Pedestal	15 lbs (7 kg)
Batteries	168 lbs (76 kg)
<b>total</b>	<b>233 lbs (106 kg)</b>

To be used with  
anchor plate  
(line item 8)





# Telecom Enclosure



**Graybar contact info:**

Franco Sabalones

franco.sabalones@graybar.com

(909) 455-8277

**Parts List - Telecom Enclosure**

Item #	Part Number	Qty	Description
1	3HE11600AA	1	Nokia router, 7705 SAR-Hm, Cellular Router
2	3HE11588AE	1	7705 SAR-Hm/Hmc Release 21 OS License
3	3HE13569AB	1	Antenna, LTE/WiFi/GNSS, SMA Male for LTE and GNSS, RP-SMA Male for GNSS
4	3HE08607JA	1	IPSec License, SAR-Hm/Hmc
5	3HE09259JA	1	Network Group Encryptoin License, SAR-Hm/Hmc
<b>Enclosure and accessories</b>			
6	GT-RAC24	1	Enclosure, SFX05-1518 (RAC24) SiteFlex 5RU, 19" Rail, 6P Ground Bar
7	GT-RAC24-BB	1	Battery Base, SFX05-1518 (RAC24) SiteFlex, Ventilated
8	GT-RAC-ANCPLT	1	Anchor Plate, SFX05-1518 (RAC24) SiteFlex
9	FLX564WHX	1	Heat Exchanger, 17W/F Watt
10	GT-UNV-GMT10	1	Fuse Panel, GMT, 10 Positions
11	GT-RAC-DRALM-NC/NO	1	Door Alarm, Magnetic
12	20 AMP QUAD OUTLET	1	120 VOLT 20 AMP QUAD OUTLET WITH BOX AND COVER
13	FPSJ60I-ANL-VC	1	Power Supply, 48VDC, Neg. Polarity, FlatPack S, 2 qty. Rectifier Positions, E/W2X 1000W, 2 qty. LVBD, 60 amp battery bullet CB, Smartpack S Controller
14	241120.905	1	DC/DC Power Core, Standalone
15	241120.911	1	Bulk Feed Output
16	241120.914	1	Battery Bulk Feed with Shunt and Contactor, Positive Leg, 24-48 VDC
17	LA1012-N520P	2	AC Line Cord
18	AC2060-01W-NA	1	AC Surge Protection, 120/240 3W+G, 60 kA L-N, L-G, L-L, N-G MOV, NEMA 4
19	367E33743301	1	Alarm Cable
20	340575	1	Battery Thermal Probe Kit-No lug, 10 ft.
21	SBS15	4	Battery, VRLA Pure Lead, 12V, 14Ah
22	I2R IEP 48-5	1	DC Surge Protector (1104-11-002), 48VDC, 48-5 DC Line, Class II 5kA
23	Cabinet Testing and Wiring	1	Wiring Testing of Cabinet
24	D-PK-NGDIN	1	NetGuardian DIN, Single 110v, 8alm, RS485, 1-Plug, IT, with Ear aluminum bracket Part Number: D-PK-NGDIN-12103.00001 and D-CS-325-10A-00 (www.dpstelecom.com)